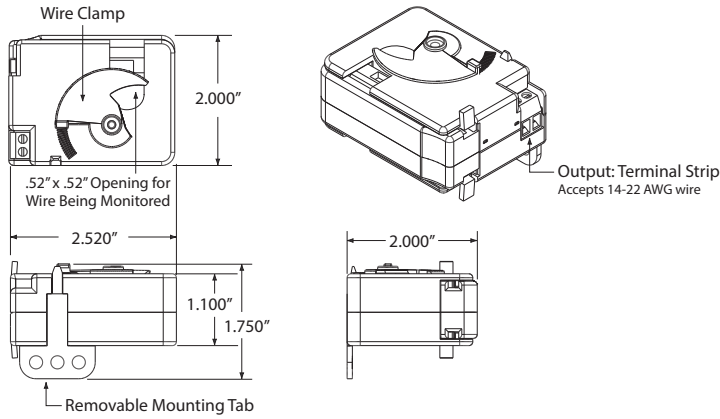


**AC TRANSDUCER**

**RIBXGTV5-10**

Enclosed Self-Powered Split Core AC Transducer (0-10A)  
with 0-5Vdc Terminal Output



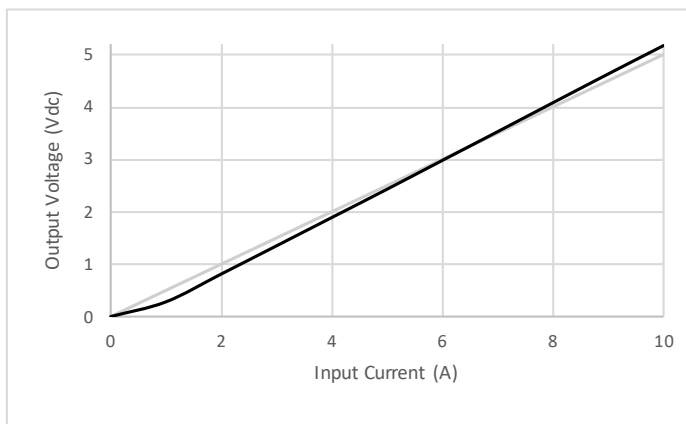
**SPECIFICATIONS**

**Operating Temperature:** -30 to 140° F  
**Humidity Range:** 5 to 95% (noncondensing)  
**Accuracy:** 98.3% Full Scale  
**Loading:** 5% Error @ 58 kΩ

**Max Sense Voltage:** 600 Vac  
**Approvals:** UL Listed, UL916, UL864, California State Fire Marshal, C-UL, CE, RoHS

**Mounting/Installation:** Removable mounting tab provided. The wire clamp locks against the wire being monitored, securing the unit in place.

**Sensor Type:** Split core with voltage output



— Ideal  
**—** Actual